

**WASHINGTON METROPOLITAN AREA TRANSIT AUTHORITY  
SUPPLY AND SERVICE CONTRACT CQ116021**



**WASHINGTON METROPOLITAN AREA TRANSIT AUTHORITY  
600 Fifth Street, NW, Washington, DC 20001-2651  
AMENDMENT OF SOLICITATION / MODIFICATION OF CONTRACT**

<b>1. AMENDMENT/MODIFICATION</b>  A002	<b>2</b>  August 12, 2015
<b>3. ISSUED BY PURCHASING SECTION</b>  Office of Procurement and Materials Lily Cheung, Procurement Manager 600 Fifth Street, NW Washington, DC 20001	<b>4. ADMINISTERED BY</b>  Same as block 3.
<b>5. CONTRACTOR NAME AND ADDRESS</b>	<b>6. FORM TYPE</b> (Check only one)  <input checked="" type="checkbox"/> AMENDMENT OF SOLICITATION NO CQ116021 DATED <u>August 3, 2015</u> (see block 7)
<p align="center"><b>7. THIS BLOCK APPLIES ONLY TO AMENDMENTS OF SOLICITATIONS</b></p> <p><input checked="" type="checkbox"/> The above numbered solicitation is amended as set forth in block 10. The hour and date specified for receipt of Offers _____ is extended, <input checked="" type="checkbox"/> is not extended. Offerors must acknowledge receipt of this amendment prior to the hour and date specified in the solicitation, or as amended, by one of the following methods; (a) By signing and returning <u>two</u> copies of this amendment; (b) by acknowledging receipt of this amendment on each copy of the offer submitted; or (c) by separate letter or telegram which includes a reference to the solicitation and amendment numbers. <b>FAILURE OF YOUR ACKNOWLEDGMENT TO BE RECEIVED AT THE ISSUING OFFICE PRIOR TO THE HOUR AND DATE SPECIFIED MAY RESULT IN REJECTION OF YOUR OFFER.</b> If, by virtue of this amendment you desire to change an offer already submitted, such change may be made by telegram or letter, provided such telegram makes reference to the solicitation and this amendment, and is received prior to the opening hour and date specified.</p>	
<b>8. ACCOUNTING AND APPROPRIATION DATA (If required)</b>	
<b>9. THIS BLOCK APPLIES ONLY TO MODIFICATIONS OF CONTRACTS/ORDERS</b>	
<b>10. DESCRIPTION OF AMENDMENT/MODIFICATION</b>  A. Solicitation CQ116021 is amended to incorporate Questions and Answers.  Except as provided herein, all terms and conditions of the document referenced in block 10, as heretofore changed, remain unchanged and in full force and effect.	
<b>11. CONTRACTOR/OFFEROR IS REQUIRED TO SIGN THIS MODIFICATION AND RETURN TO ISSUING OFFICE.</b>	<input type="checkbox"/> <b>CONTRACTOR/OFFEROR IS NOT REQUIRED TO SIGN THIS DOCUMENT</b>
<b>12. NAME OF CONTRACTOR/OFFICE</b>  BY _____ (Signature of person authorized to sign)	<b>15. WASHINGTON METROPOLITAN AREA TRANSIT AUTHORITY</b>  BY  (Signature of Contracting Officer)

Appendix A  
Questions and Answers  
CQI16021

Question 1: please provide additional information for the following items:

K18344011  
K18344012  
R93300293  
C18356009  
C18356013  
C18356014  
C18366124  
L18363034  
A18357044  
B18355028

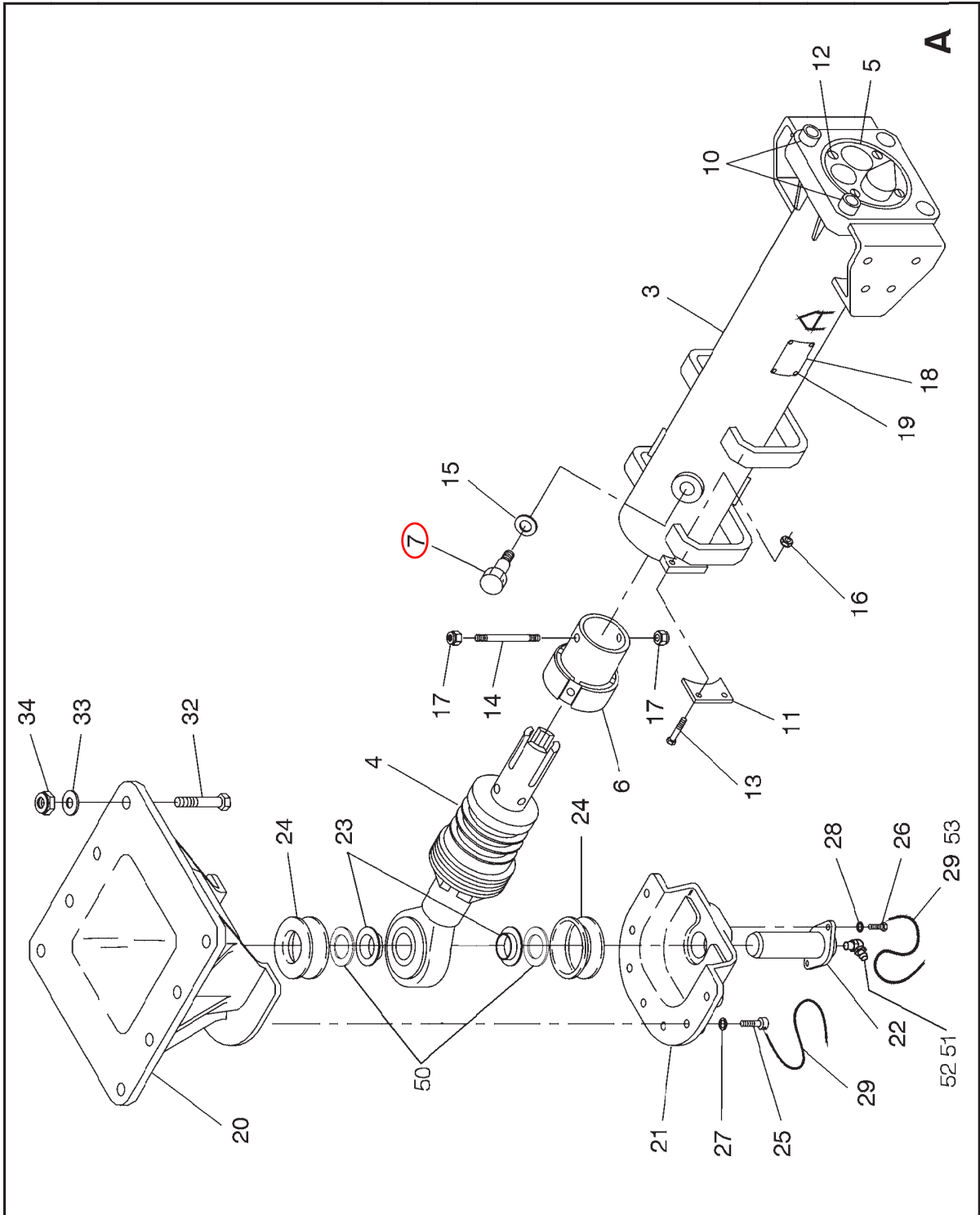
Answer: There are no additional information available for the items listed above.

Question 2: please provide additional information for the following items:

L18363034 and B18355028

Answer: Please see attached drawings.

End of Amendment A002



IPC06-018-2

Figure 6-15. Semi-Permanent Drawbar Assembly (Sheet 2 of 3)

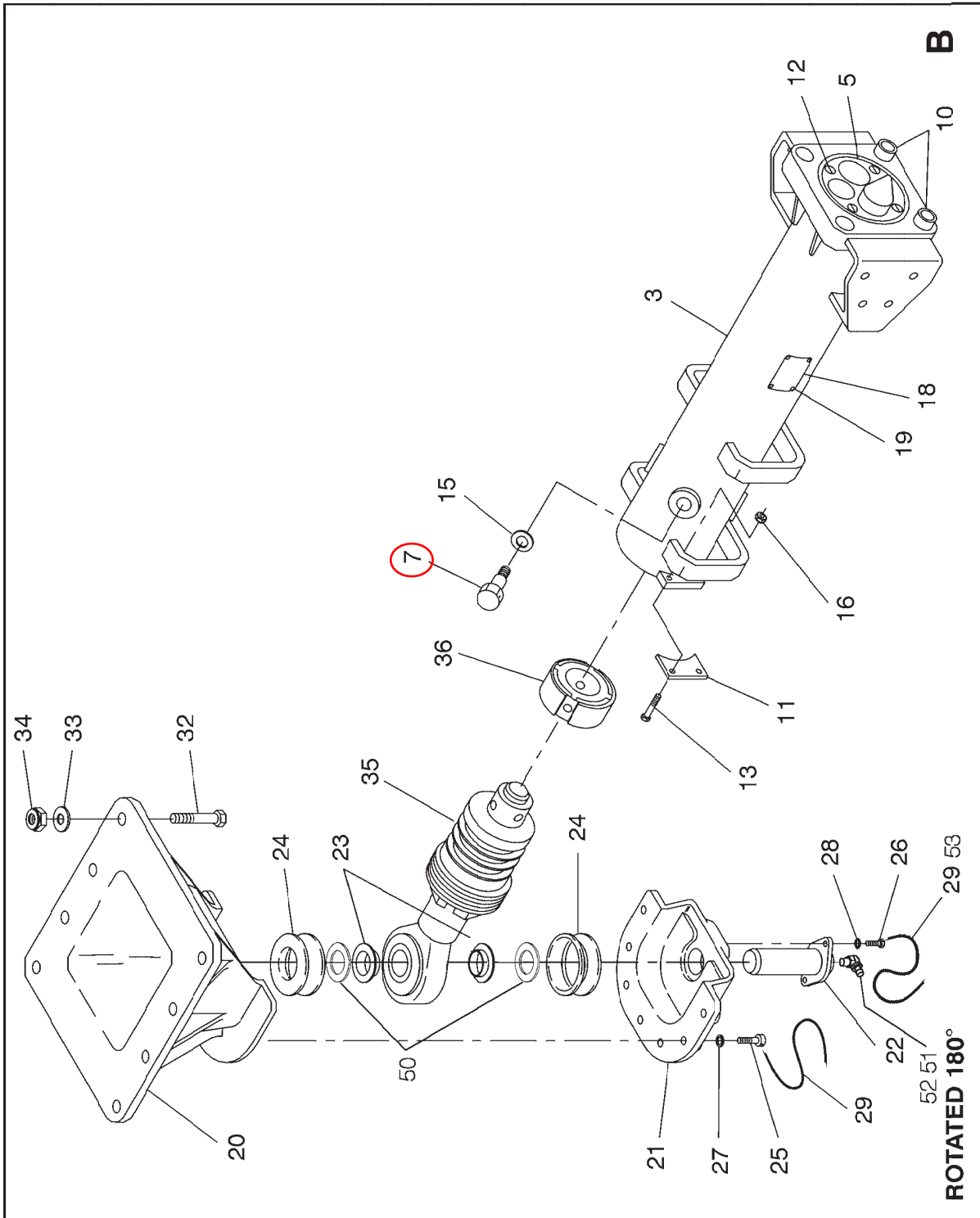


Figure 6-15. Semi-Permanent Drawbar Assembly (Sheet 3 of 3)

## WMATA PARTS LISTING

G. & M NO.	MANUFACTURING PART NO.	AUTHORITY PART NO.	DESCRIPTION	NEXT ASSEMBLY	MANU
-	059222-3003		DRAWBAR ASSEMBLY, SEMI-PERMANENT (ASSEMBLED AFTER NON-ROTATING AND ROTATING DRAWBARS HAVE BEEN INSTALLED ON A AND B CARS)	E23-0406-01 E23-0406-02	
1	059228-3003		DRAWBAR ASSEMBLY, NON-ROTATING	059222-3003 E23-0406-01	
2	059229-3003		DRAWBAR ASSEMBLY, ROTATING	059222-3003 E23-0406-01	
3	059267-3002		TUBE, DRAFT GEAR	059228-3003 059229-3003	
4	0698105-3002		TAIL EYE ASSEMBLY, FIXED	059228-3003	
5	059269-3001		PLATE, HOUSING	059228-3003 059229-3003	
6	059047-3001		RING, EMERGENCY RELEASE	059228-3003	
7	L53521-3003		BOLT, RELEASE	059228-3003 059229-3003	
8	000028-4857		CABLE	059228-3003 059229-3003	
9	000024-4424		SLEVE	059228-3003 059229-3003	
10	059045-4005		FLANGE, GUIDE	059228-3003 059229-3003	
11	052061-4002		PLUG, TAIL LOCK	059228-3003 059229-3003	
12	053592-4015		SCREW, MACHINE, FLAT HD, 3/8-16 UNC X 1 IN. LG	059228-3003 059229-3003	
13	053592-4025		SCREW, MACHINE, HEX HD, 1/2-13 UNC X 2 IN. LG	059228-3003 059229-3003	
14	0674604		STUD, ANTI-ROTATION	059228-3003	
15	019779-4075		WASHER, LOCK, 1-1/4 IN.	059228-3003 059229-3003	
16	000003-4041		STOPNUT, 1/2-13 UNC	059228-3003 059229-3003	
17	000003-4057		LOCKNUT	059228-3003	
18	0671283		NAMEPLATE	059228-3003 059229-3003	
19	0553576		STUD, NO. 6 X 1/4 IN. LG	059228-3003 059229-3003	
20	0698093-3001		BASE, ANCHOR	059228-3003 059229-3003	

ILLUSTRATED

WASHINGTON METROPOLITAN AREA  
TRANSIT AUTHORITY

RAIL CAR ENGINEERING SUPPORT

DRAWN N. W. Freeman DATE 4-29-97

TITLE: BREDA TRUCK GROUNDING PLATE

CHECKED [Signature] DATE 4-29-97

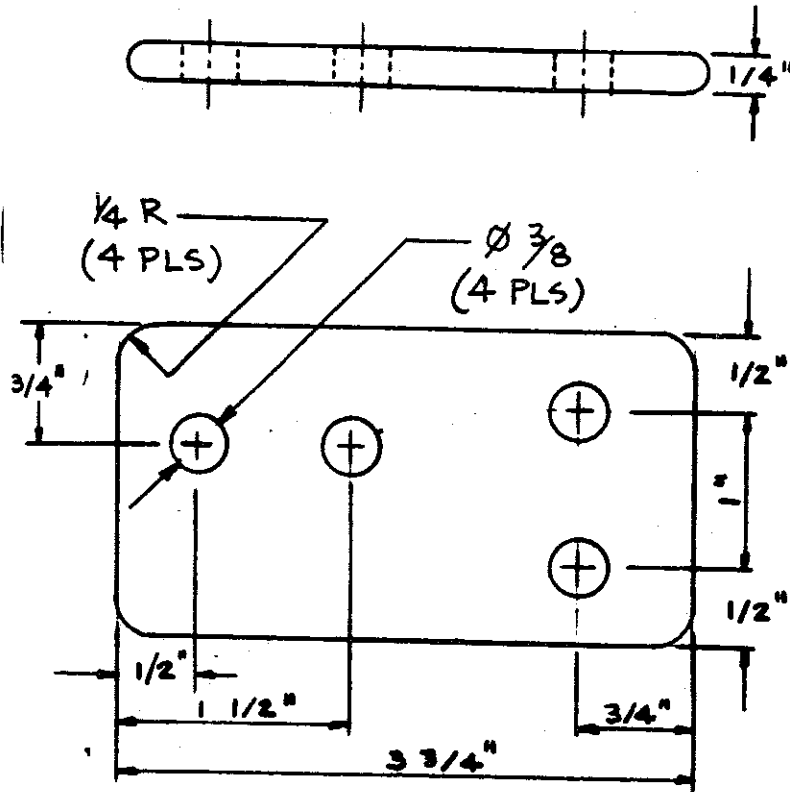
SCALE: NTS

DWG. NO. 18355028

SHT: 1 of 1

APPROVED [Signature] DATE 4-30-97

WMATA PART NO: B18-35-5028



MATERIAL:

COPPER (UNS C11000) C110  
IN ACCORDANCE WITH  
ASTM B133 AND  
ASTM B137.

TOLERANCE:

UNLESS OTHERWISE  
SPECIFIED  $\pm 1/64$

REVISION

REFERENCE DRAWING

DATE	BY	DESCRIPTION	NUMBER	TITLE
/ /				
/ /				